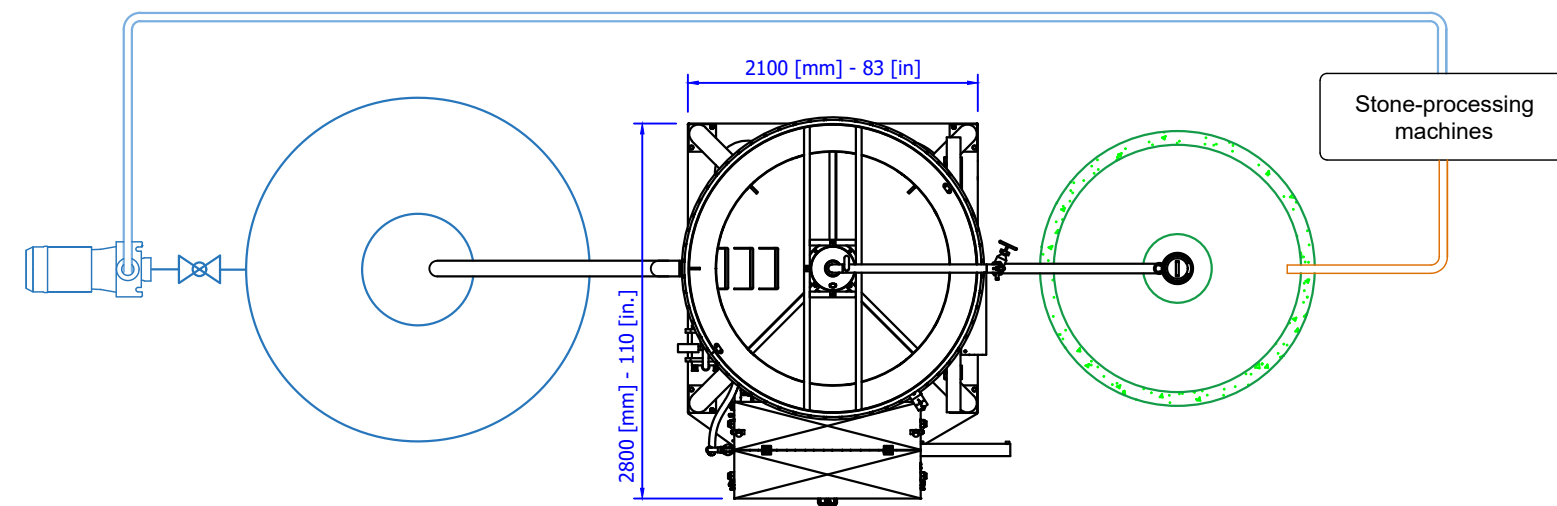


- Electric supply connection:
 AC 400V; 50HZ; 3PH+PE 6.5kW; 15A
- Compressed air supply:
 Ø10mm-3/8"
- Flocculant station inlet: F1/2".
 Use pure water only.
- Flocculant station discharge: F3/4"



MACCHINA TIPO:
 MACHINE TYPE:

Water clarification and sludge dehydration plant

MINI COMPACT L 2.1

Serial Number: _____

CLIENTE:
 CUSTOMER: _____

LAY-OUT DI MASSIMA
 (plant lay-out)

CODICE DISEGNO
 (drawing code) _____

DATA
 (date) _____

APPROVATO
 (approved) _____

