

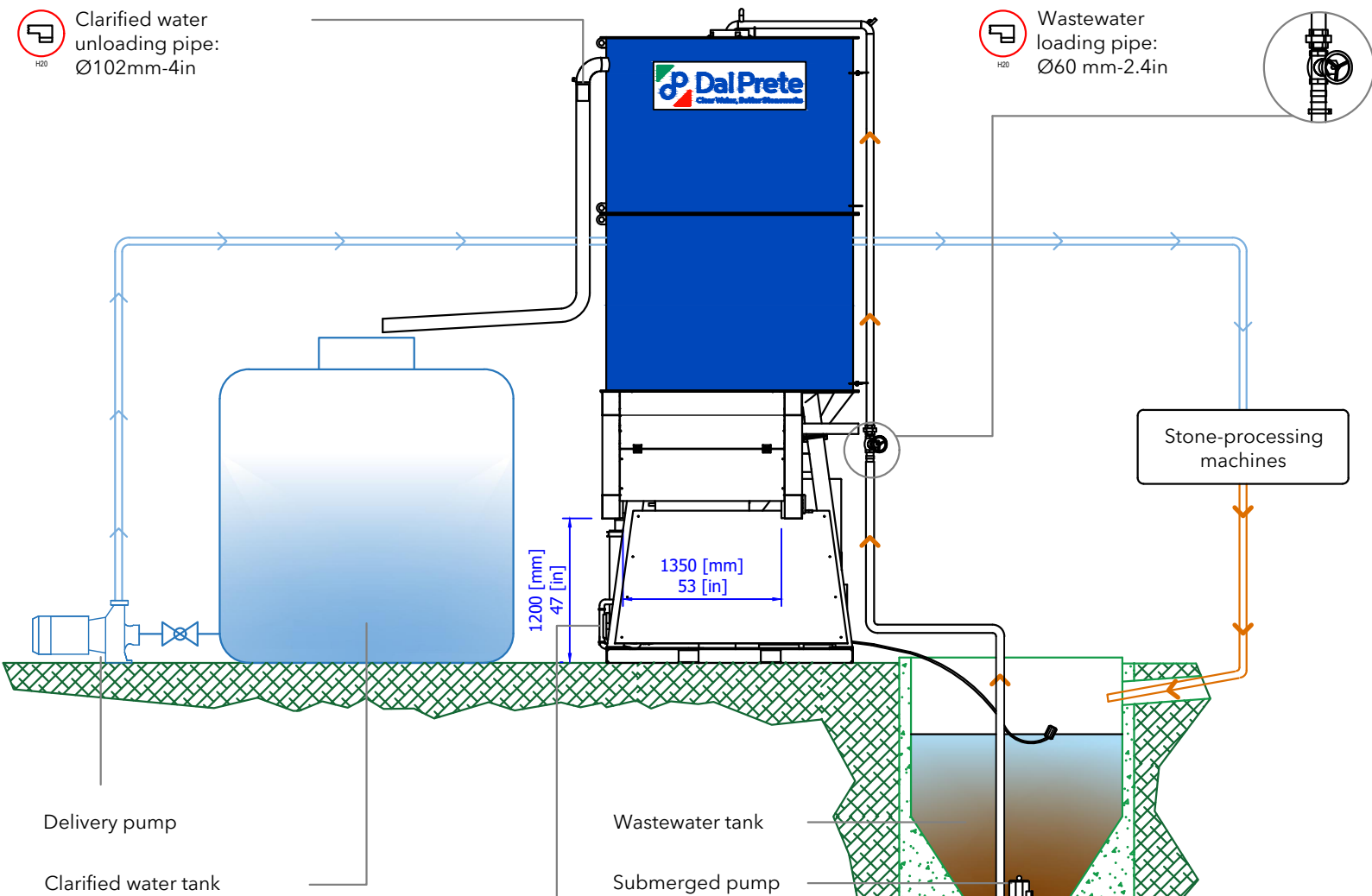
⚡ Electric supply connection:
AC 400V; 50HZ; 6,5kW; 15A
3PH + PE

🌬️ Compressed air supply:
Ø10mm-3/8"

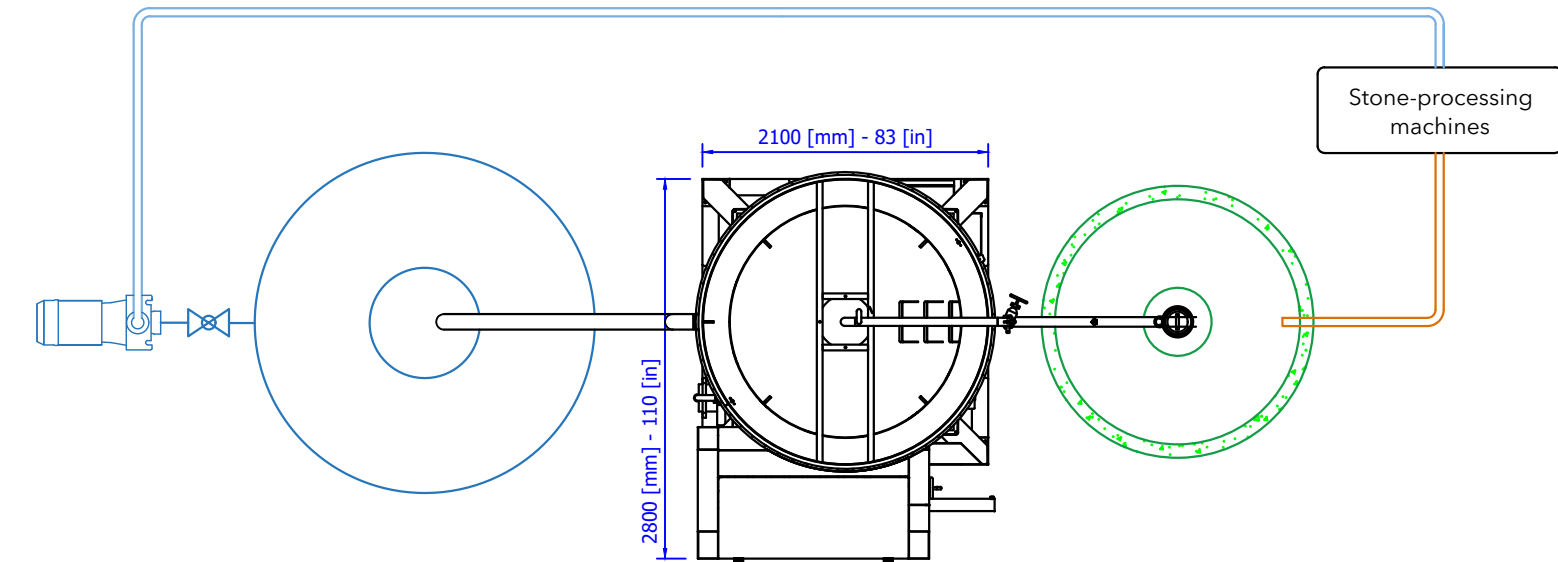
🚰 Flocculant station inlet:
Ø19mm-Ø3/4"
Use pure water only.

🚰 Flocculant station discharge:
Ø19mm-Ø3/4"

🚰 Water connection for cloths washing system:
Ø60mm-2.4in
To be connected to the stone-processing machines' water supply



🚰 Water connection for filterpress feeding pump's washing system:
Ø50mm-2in
To be connected directly to the clarified water tank



MACCHINA TIPO:
MACHINE TYPE:

Water clarification and sludge dehydration plant

MINI COMPACT L 3.1 PREMIUM

Serial Number: _____

CLIENTE:
CUSTOMER:

LAY-OUT DI MASSIMA
(plant lay-out)

CODICE DISEGNO
(drawing code) _____

DATA
(date) _____

APPROVATO
(approved) _____

